



## Model NRCB199DV (GHQ-C3201WX-FF US) and NRCB180DV (GHQ-C2801WX-FF US) Residential Condensing Gas Combination Boiler

- **Standard Input-** Gas consumption ranges:  
NRCB199 : 18,000 BTUH to 199,900 BTUH  
NRCB180 : 18,000 BTUH to 180,000 BTUH
- **Heating Mode Input-** Gas consumption ranges:  
NRCB199 : 18,000 BTUH to 120,000 BTUH  
NRCB180 : 18,000 BTUH to 100,000 BTUH
  - **Turndown Ratio-** 6.7 (NRCB199) and 5.6 (NRCB180)
- **Capacity Range-** Flow rates of 0.4 GPM up to 11.1GPM (NRCB199) and 9.8 GPM (NRCB180)
- **Compact Design-** ANSI Z21.13/CSA 4.9 certified design that can be wall-mounted indoors
- **Durable Steel Casing with Polyester Coating**
- **Heat Exchanger-** Manufactured with 316L stainless steel
- **Venting Options-** For indoor installation only. Convertible to Single Vent (-SV) with the use of conversion kit (#SV-CK-2)
- **Direct Electronic Ignition**
- **AFUE-** 95%
- **Temperature Controls-** Includes remote thermostat that can precisely adjust the output temperature with the capability to display temperatures in °C, Domestic Mode: 90°F to 140°F, Heating Mode: 80°F to 180°F
- **Outdoor Reset Control-** Built-in customizable programming for Energy Savings and Comfort with Outdoor Temperature Sensor (included)
- **Power Cord Installation Kit-** 6' power cord is included
- **Safety Devices-** Flame Rod, High Limit Switch, Lightning Protection Device (ZNR), Freezing Prevention Device, Fan Rotation Detector
- **Internal Pump-** Heating Mode: used for primary closed loop. Domestic Mode: used for pre-heating of internal plate heat exchanger
- **10-Year\* Limited Heat Exchanger Warranty for Residential Use**
- **5-Year Limited Parts Warranty**
- **1-Year Reasonable Labor**



DV Model

### Model

NRCB199DV (GHQ-C3201WX-FF US)  
NRCB180DV (GHQ-C2801WX-FF US)

### Accessories

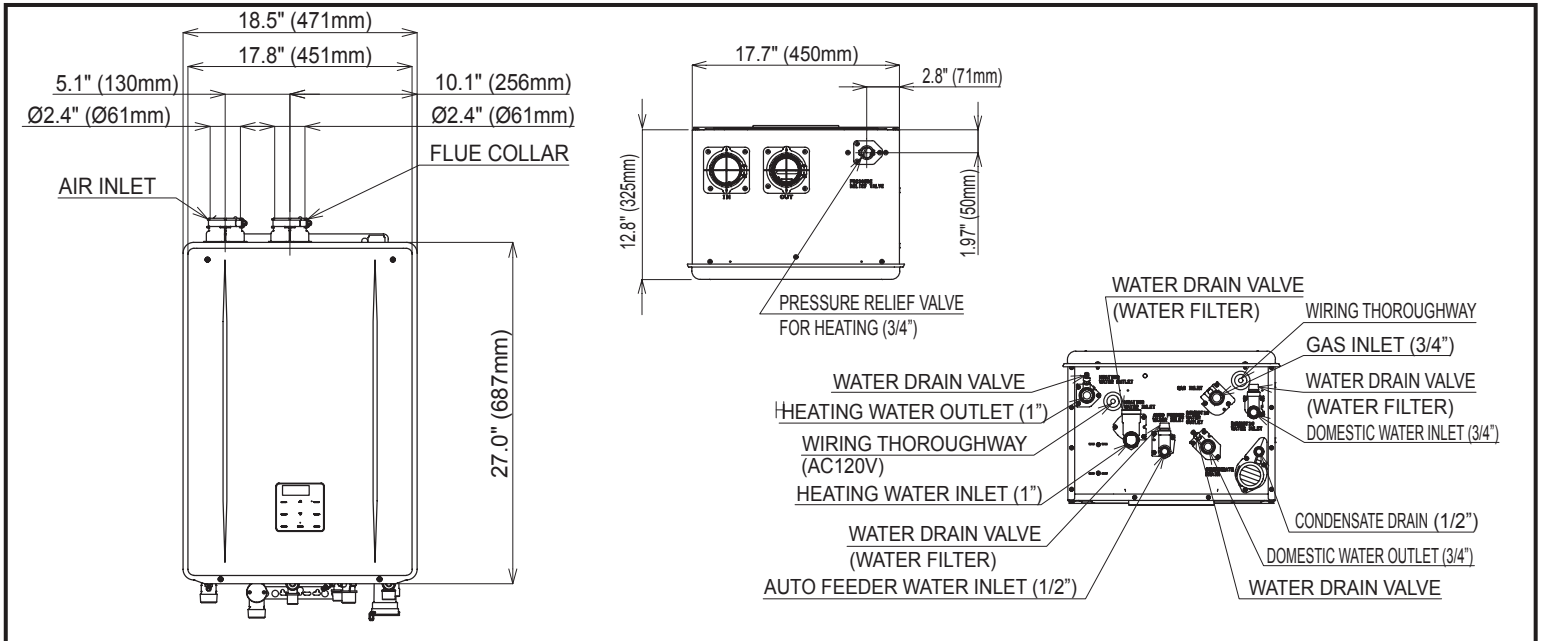
- 2" & 3" PVC Termination (#PVC-2CT) & (#PVC-3CT)
- NRCB Manifold Kit (#MK-NRCB-1)
- Quick Connect Cord (#QC-2)
- Neutralizer (#NC-1) (For 1 Water Heater)
- 3" Horizontal Hood Termination (#PVT-HL)
- Isolation Valves (#IK-WV-200-1)
- 2" & 3" Bird Screen (#VT2-PVCS) & (#VT3-PVCS)
- SV Conversion Kit (#SV-CK-2) 90 Elbow with Inlet Screen
- Plastic Rain Cap (#PRC-1)
- NRCB Service Kit (#SPK-NRCB 1)



\*Primary Heat Exchanger warranty is maintained at 10 years when used in a single family dwelling and 3 years when product is supplied with pre-heated or circulated water on the domestic water side, in accordance with the Installation Manual. Refer to Noritz Limited Warranty for complete coverage details.

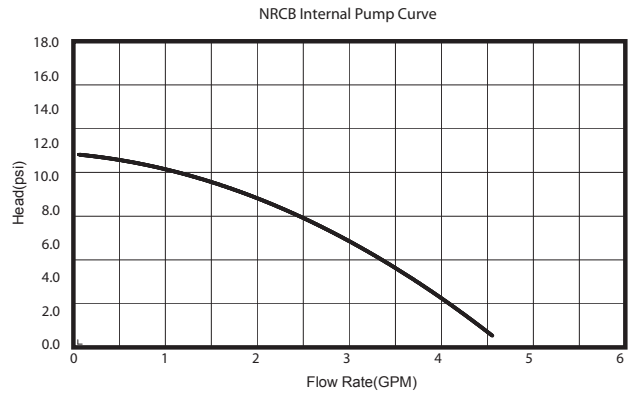
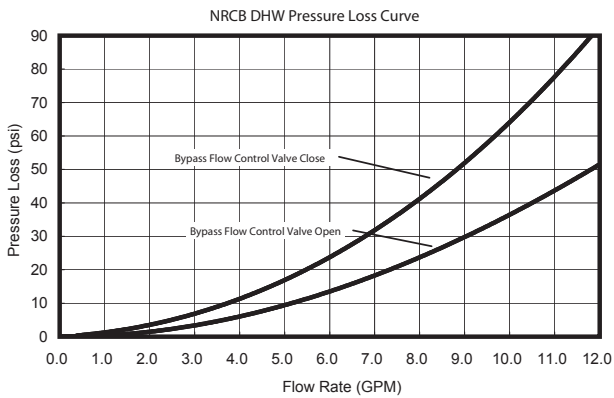
\*\* This product complies with California AB 1953 Low Lead Law and Section 1417(d) of the Safe Drinking Water Act

## Dimensions



## Flow Rates

Temperature Rise (°F)		30	40	45	50	60	70	80	90	100
Flow Rate (GPM)	NRCB199DV	11.1	9.5	8.4	7.6	6.3	5.4	4.7	4.2	3.8
	NRCB180DV	9.8	8.5	7.5	6.8	5.7	4.9	4.3	3.8	3.4



## Specifications

Model Name		NRCB199DV		NRCB180DV	
Weight		95 (pounds)			
Operating Pressure		15 - 150 psi			
Gas Supply Pressure		NG: 3.5" - 10.5" LP: 8.0" - 14.0"			
Water Holding Capacity		Under 2 Gallons			
Connection Sizes	Water Inlet	3/4" NPT			
	Hot Water Outlet	3/4" NPT			
	Gas Inlet	3/4" NPT			
	Condensate Drain	1/2" Threaded NPT			
	Auto Feeder Inlet	1/2" NPT			
	Heating Supply	1"			
Power	Supply	120VAC 60Hz			
	Consumption	NG: 210W LP: 210W Freeze Prevention 125W		NG: 200W LP: 200W Freeze Prevention 125W	
Freeze Protection		39°F (4°C)			
Temperature Settings	Domestic Hot Water	°F Mode	90-140°F (In 5°F intervals) (11 Options)		
		°C Mode	32°C, 35°C, 37°C-48°C (In 1°C intervals), 50°C, 55°C, 60°C (17 Options)		
	Heating	°F Mode	80°-180°F (In 1°F intervals) (81 Options)		
		°C Mode	27-82°C (In 1°C intervals) (43 Options)		

\* Default temperature for heating setting is 100°F . Refer to the installation manual in order to set it to 80°F.